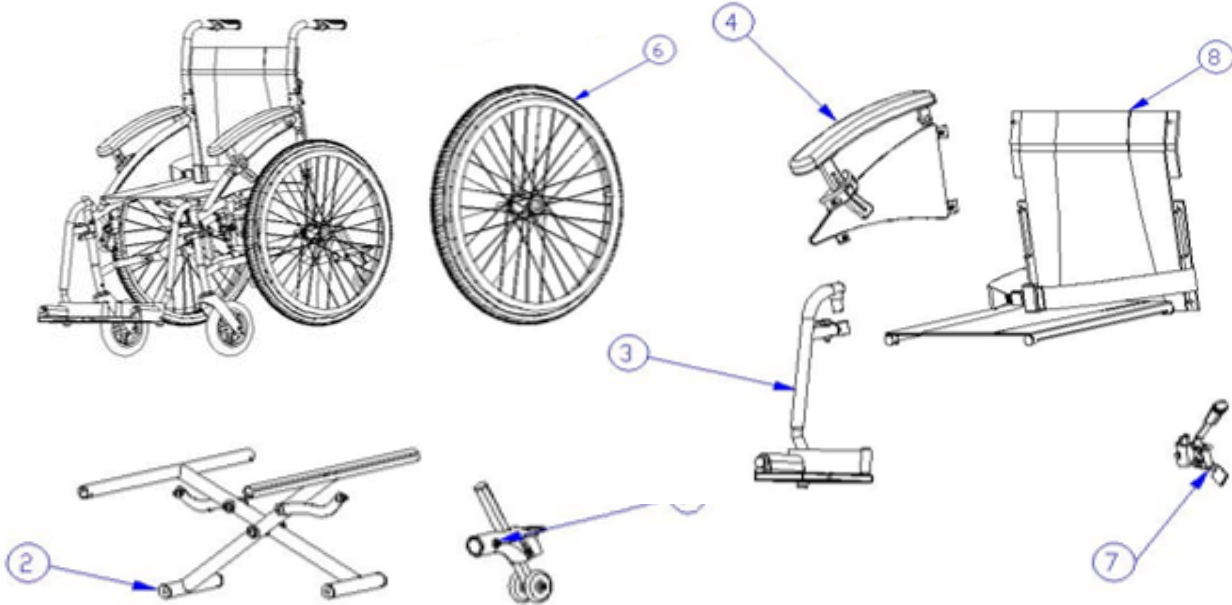


CE-D09 Spare parts list



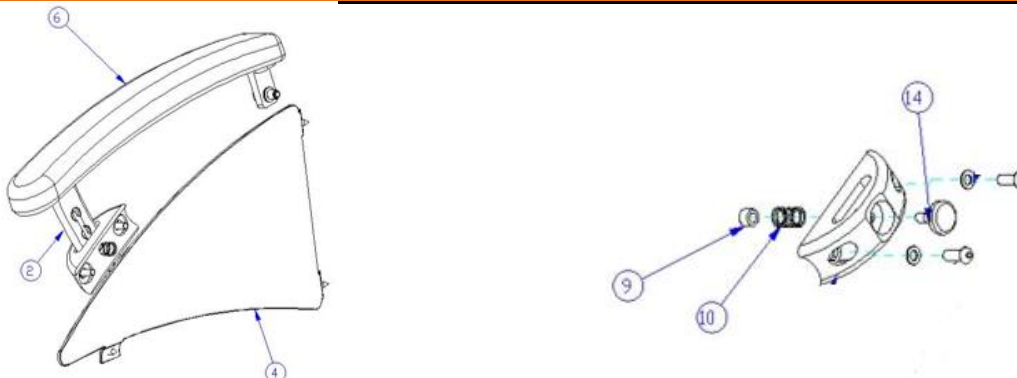
Identification number: TCF-VOMNL- 0136-09I
 Product group: Manual wheelchair
 Productname: Travixx Lite
 Batchnumber: 4371

Complete



Drawing No.	Item No.	Description	Purchase Price
2	23377045	Cross bar complete incl. folding mechanism, seat width 45cm	€ 114,00
3	63376200	Footrest complete, seat width 40/50 cm Left (Black)	€ 96,07
	63376210	Footrest complete, seat width 40/50 cm Right (Black)	€ 96,07
4	31370000	Height ajustable armpad kit , Left	€ 114,00
	31370010	Height ajustable armpad kit , Right	€ 114,00
5	80080005	Front wheel, 7" x 1¼", complete with bearings, PU (BLACK)	€ 38,43
6	43381004	24" x 1¾" rear wheel completely black PU (CFL)	€ 169,61
7	71370000	Brake complete, Left	€ 29,46
	71370010	Brake complete, Right	€ 28,88
8	53385045	Seat and back upholstery 45 x 42 cm Blue, with Travixx logo	€ 75,35
	53385445	Seat and back upholstery 45 x 42 cm White, with Travixx logo	€ 75,35
9	92137012	Anti-tipper, set of 2 pieces	€ 109,75

Armrest



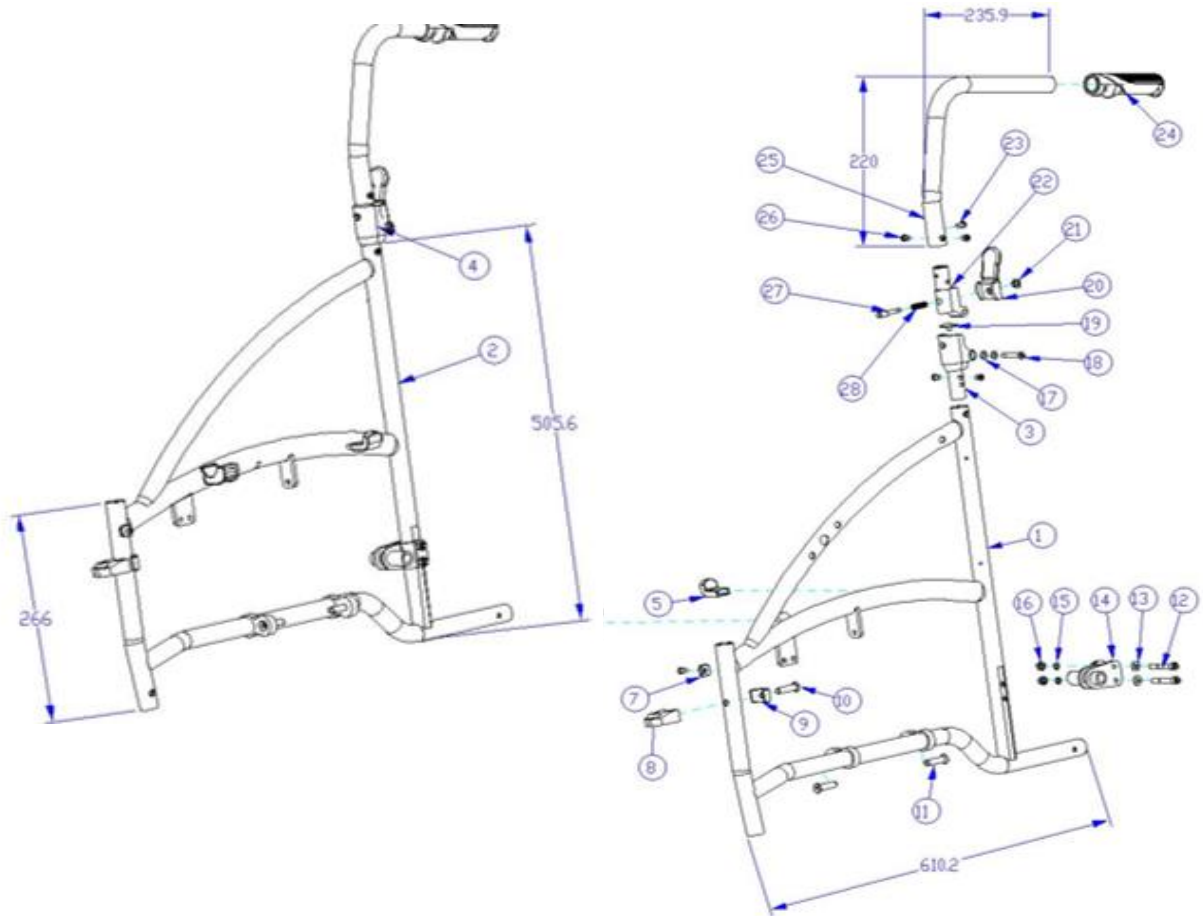
Drawing No.	Item No.	Description	Purchase Price
6 + 2	31370000	Armpad with height adjustable kit Left	€ 114,00
	31370010	Armpad with height adjustable kit Right	€ 114,00
4	33370105	Sideplate armrest Left	€ 19,22
	33370115	Sideplate armrest Right	€ 19,22
	31371005	Pushbutton + spring for armrest	€ 5,46
-	31371015	Height adjustable kit for armpad Left/Right	€ 24,90

CE-D09 Spare parts list



Identification number: TCF-VOMNL- 0136-09I
 Product group: Manual wheelchair
 Productname: Travixx Lite
 Batchnumber: 4371

Side frame



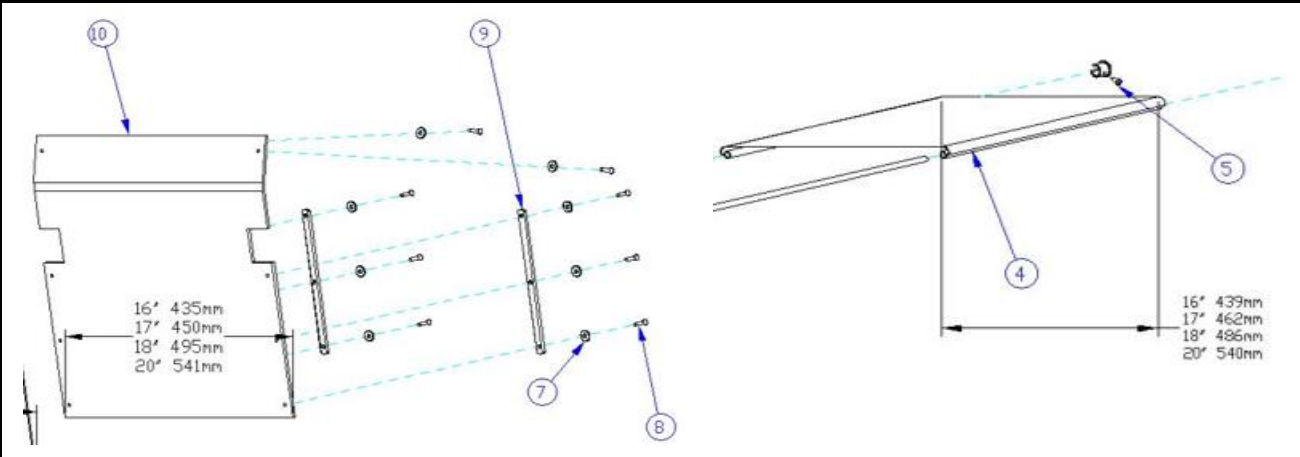
Drawing No.	Item No.	Description	Purchase Price
1 to 3	-	Not available as spare part	-
4	11371016	Fixationmechanism with lever for fordable backtube	€ 11,53
5 + 6	-	Not available as spare part	-
7 to 10	12362000	Footrest fixation block plastic	€ 14,35
11	-	Not available as spare part	-
12 to 16	13372011	Axel bracket, (sleeve/ring/nut)	€ 14,64
17 to 28	-	Not available as spare part	-

CE-D09 Spare parts list



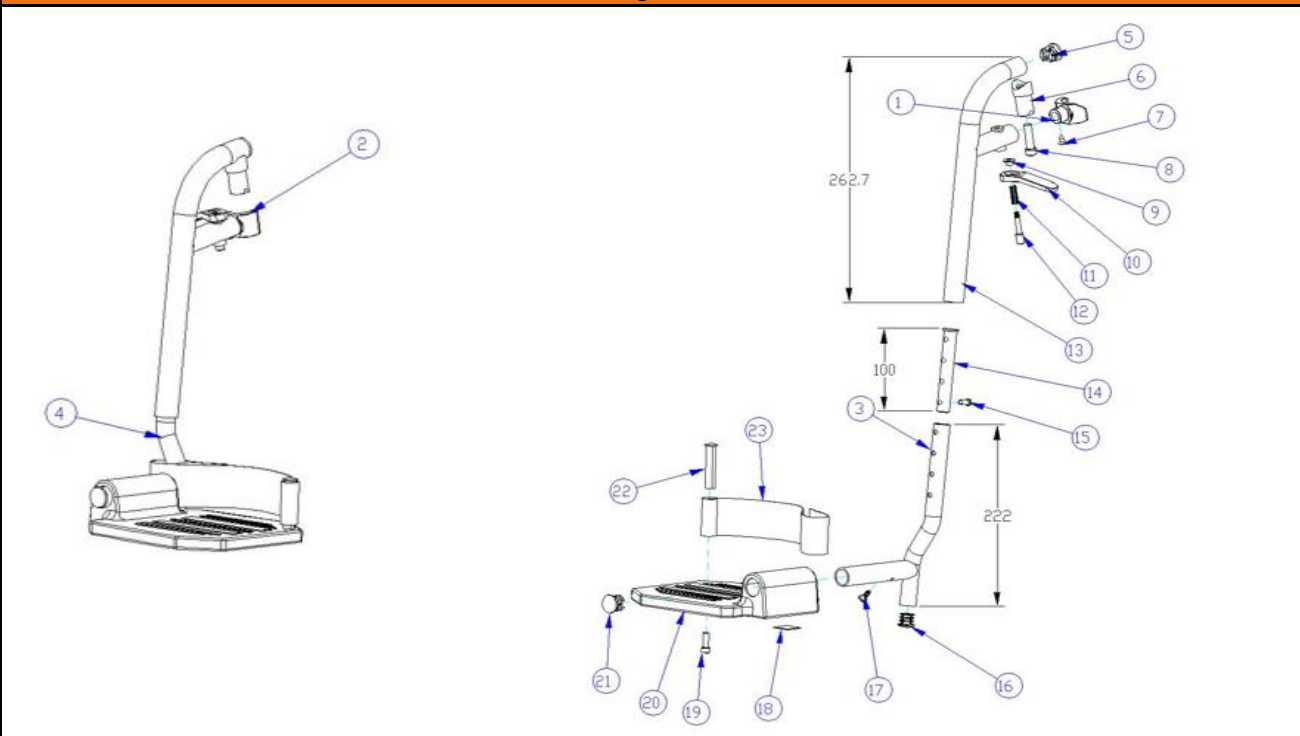
Identification number: TCF-VOMNL- 0136-09I
 Product group: Manual wheelchair
 Productname: Travixx Lite
 Batchnumber: 4371

Seat & back



Drawing No.	Item No.	Description	Purchase Price
4	53371045	Seat canvas 45 cm	€ 53,82
5; 7 to 9	-	Not available as spare part	-
10	53372045	Back canvas 45 cm	€ 53,82

Legrest



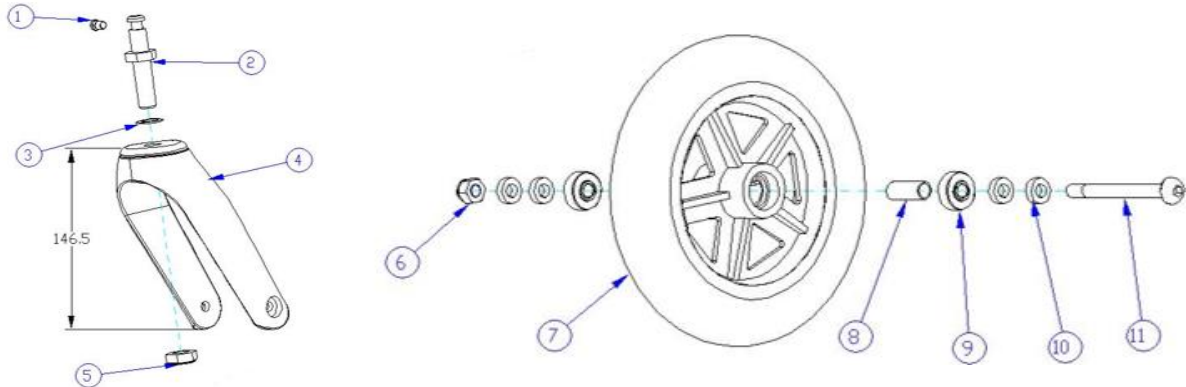
Drawing No.	Item No.	Description	Purchase Price
1 to 2; 5 to 12	63372200	Revision set for footrest Left	€ 43,95
	63372205	Revision set for footrest Right	€ 43,95
13	-	Not available as spare part	-
14 + 15	63375000	Spacer tube for adjusting under leg tube	€ 27,30
15	20032401	Countersunk Screw for legrest (set of 10)	€ 9,83
3;4; 16 to 23	63373240	Footplate with connection pipe Left	€ 75,57
	63373250	Footplate with connection pipe Right	€ 75,57
23	61374640	Heel loop, nylon complete with mounting material	€ 17,93

CE-D09 Spare parts list



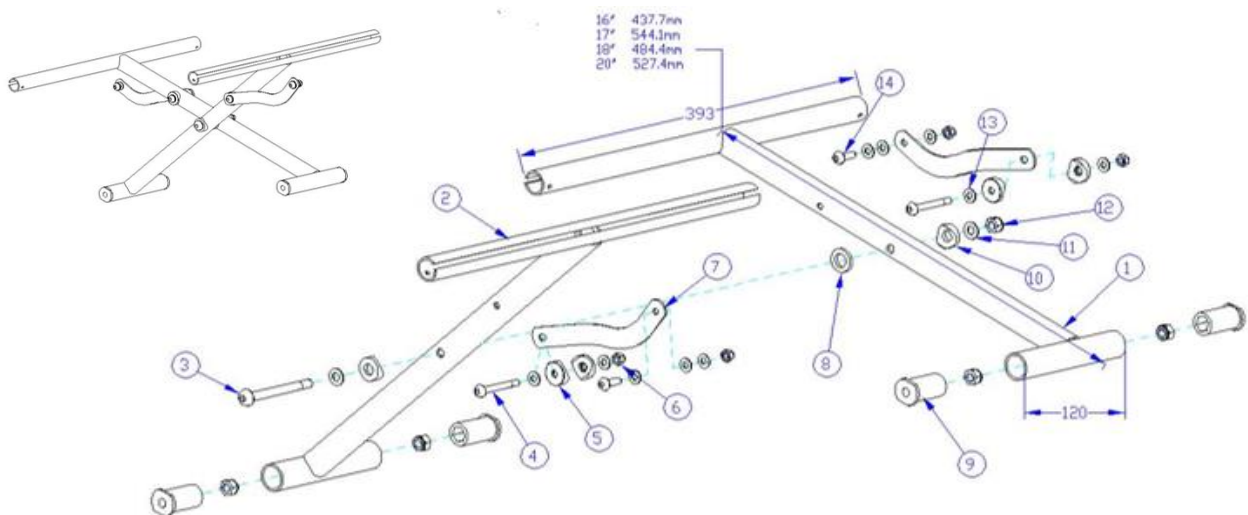
Identification number: TCF-VOMNL- 0136-09I
 Product group: Manual wheelchair
 Productname: Travixx Lite
 Batchnumber: 4371

Front fork + front wheel



Drawing No.	Item No.	Description	Purchase Price
1 to 5	91370155	Front fork Left/Right for 7" front wheel	€ 31,96
6 to 11	80080005	Front wheel, 7" x 1¼", complete with bearings, PU (BLACK)	€ 38,43

Cross frame



Drawing No.	Item No.	Description	Purchase Price
1 to 6	-	Not available as spare part	-
7 + 8	23371601	Folding mechanism black for cross bar, seat width 45 cm	€ 14,09
9	21370000	Spacer tube, nut, screw for crossframe (set of 4)	€ 37,67
10 to 14	-	Not available as spare part	-

Accessoires

Drawing No.	Item No.	Description	Purchase Price
-	90131010	Crutchholder with mounting material and 4 stauff blocks	€ 24,57