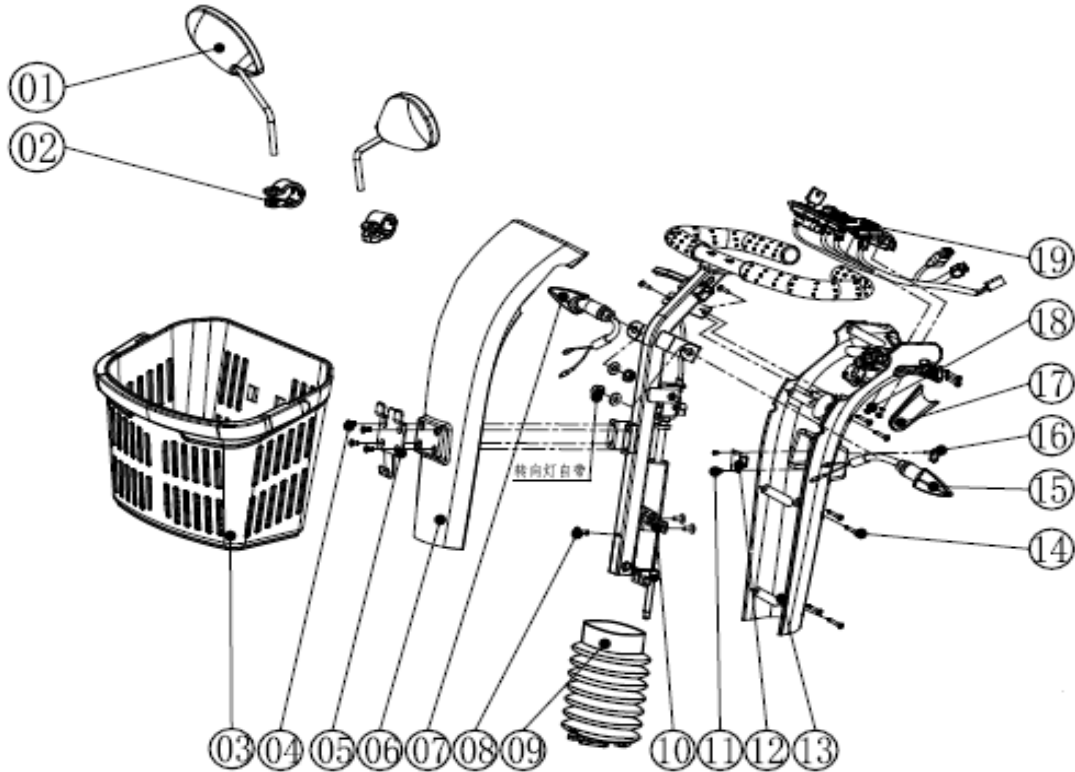


## CE-D09 Spare parts list



Identification number: TCF-VOMNL -0380-19A  
 Product group: Mobility Scooter  
 Productname: Senzo 4-wheel  
 Batchnumber:

### Tiller



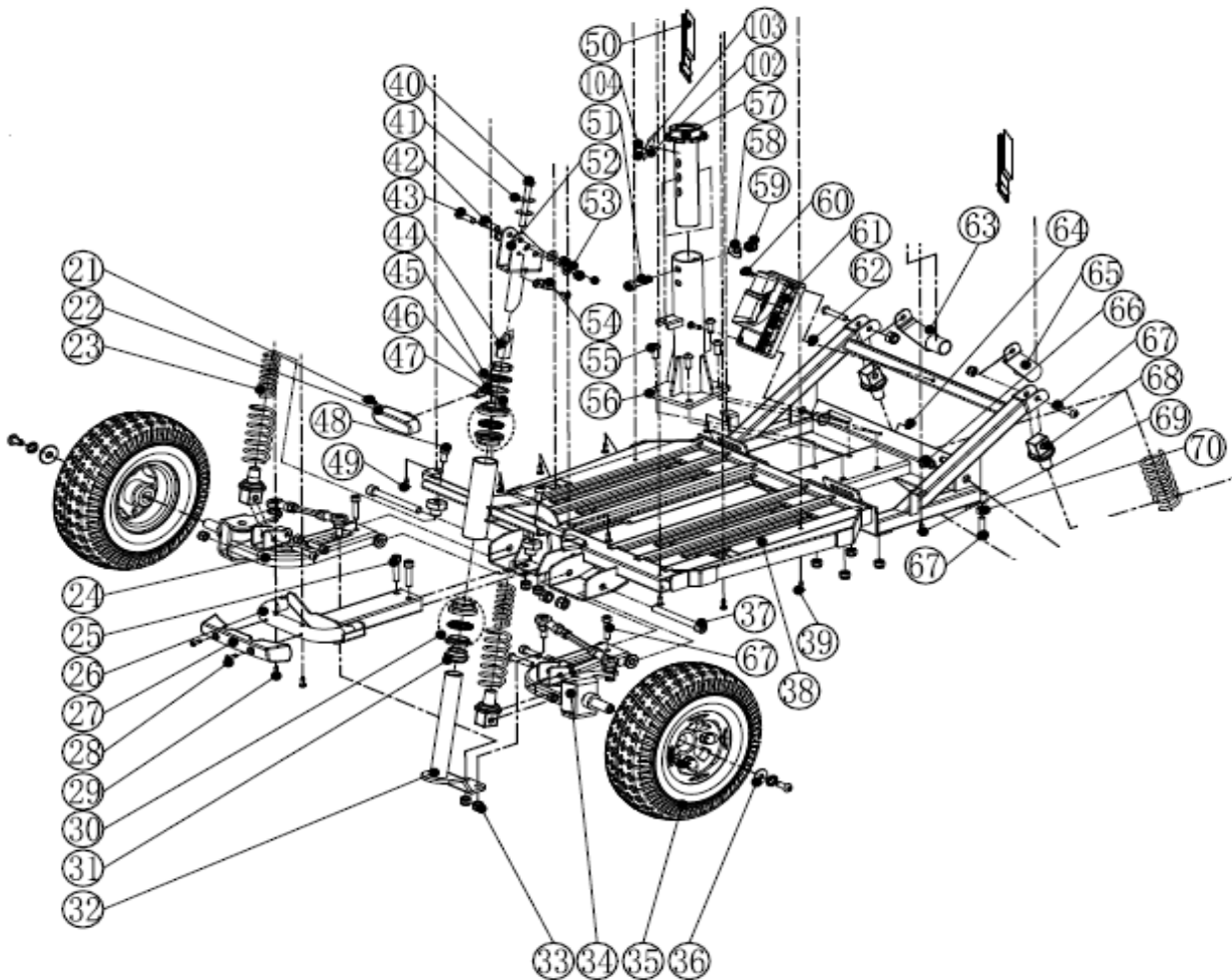
Drawing No.	Item No.	Description	Purchase Price
1	06030100	Rear mirror set, Left & Right	€ 15,26
2	SE07E505AK0	Mounting brackets for mirror	€ 2,08
3	SE08E508AK0	Foldable basket	€ 45,86
4	-	Not available as spare part	€ -
5	SB03P119HG0	Mounting bracket for front basket	€ 4,36
6	SF04P505A06	Tiller front cover Champagne	€ 56,68
	SF04P505A15	Tiller front cover Burgundy Red	€ 56,68
	SF04P505A16	Tiller front cover Old Blue	€ 56,68
	SF04P505A03	Tiller front cover New Blue	€ 56,68
7	305300003Y	Turning light Right	€ 58,86
8	-	Not available as spare part	€ -
9	SE06P512E3A	Rubber cover tiller	€ 15,26
10 & 11	-	Not available as spare part	€ -
12	SK05F620AK4	USB port	€ 13,08
13-1	SE06A502C3A	Tiller rear cover	€ 13,08
13-2	SE06F601AK0	Horn assembly	€ 10,90
13-3	SE06F602AK0	Charging port	€ 13,08
13-4	SE06F603AK0	Speed controll with potentiometer	€ 85,02
14	-	Not available as spare part	€ -
15	305300004Y	Turning light Left	€ 58,86
16 to 18	-	Not available as spare part	€ -
19	SE08F602AK0	Dashboard assembly	€ 196,56
19-1	SE06F606AK0	Key switch	€ 28,34
19-2	SE06F605AK0	Battery meter	€ 36,04
19-3	SE06P511AN1	Speed knob	€ 2,18
19-4	3050105430	Speed potentiometer	€ 23,98
19-5	305310031B	Turning light switch	€ 6,54
19-6	SJ04H601AN9	Dashboard PCB	€ 50,23

## CE-D09 Spare parts list



Identification number: TCF-VOMNL -0380-19A  
 Product group: Mobility Scooter  
 Productname: Senzo 4-wheel  
 Batchnumber:

### Front



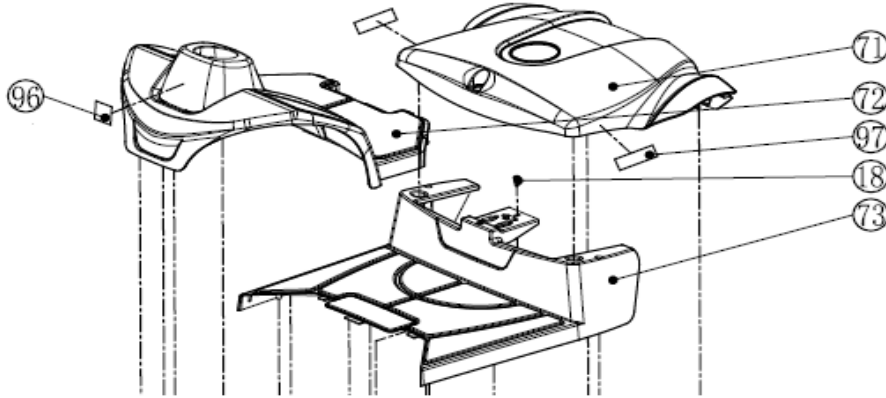
Drawing No.	Item No.	Description	Purchase Price
21	-	Not available as spare part	€ -
22	SG06F619AK0	Headlight	€ 17,44
23	SJ07P145B1G	Front spring (inside)	€ 8,72
24 to 26	-	Not available as spare part	€ -
27	SF01P503A3A	Front bumper cover	€ 6,24
28	-	Not available as spare part	€ -
29	-	Not available as spare part	€ -
30 to 31	3090432080	Bearing set	€ 10,90
32	SL01A214AG0	Bearing house	€ 13,08
33 to 34	-	Not available as spare part	€ -
35	SK05E202AK0	Front wheel Air 10"	€ 150,42
36 to 56	-	Not available as spare part	€ -
57	SE01E402EK0	Seat post	€ 19,62
58 to 60	-	Not available as spare part	€ -
61	3051600100	Controller (Dynamic R-90A)	€ 244,16
62 to 70; 102 to 104	-	Not available as spare part	€ -

## CE-D09 Spare parts list



Identification number: TCF-VOMNL -0380-19A  
 Product group: Mobility Scooter  
 Productname: Senzo 4-wheel  
 Batchnumber:

### Shrouds



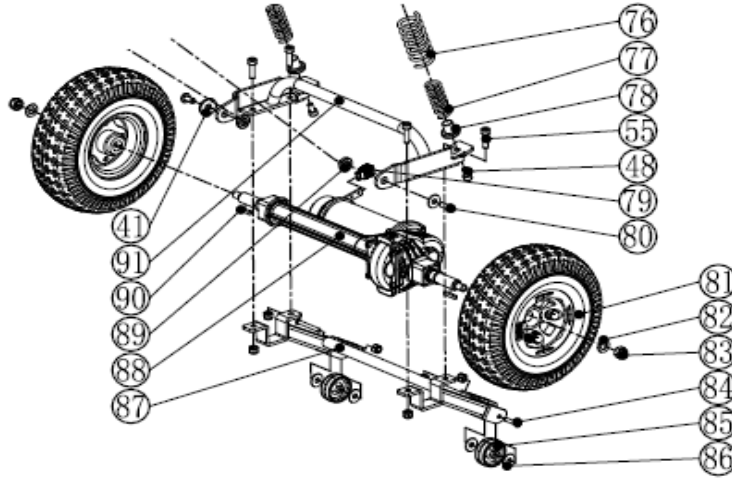
Drawing No.	Item No.	Description	Purchase Price
71-1	SG06P505B06	Battery top cover Champagne	€ 161,32
	SG06P505B15	Battery top cover Burgundy Red	€ 161,32
	SG06P505B16	Battery top cover Old Blue	€ 161,32
	SG06P505B03	Battery top cover New Blue	€ 161,32
71-2 + 71-3	SG06P820A2J	Rear reflector set (Left/Right)	€ 4,36
71-4	SL01F615AK0	Taillight assembly with turning light	€ 67,58
72-1	SG06P522A06	Front shroud cover Champagne	€ 30,52
	SG06P522A15	Front shroud cover Burgundy Red	€ 30,52
	SG06P522A16	Front shroud cover Old Blue	€ 30,52
	SG06P522A03	Front shroud cover New Blue	€ 30,52
72-2	SG06P503B3A	Front shroud Black	€ 43,60
73-1	SG06P525A3A	Footplate Black	€ 30,52
73-2	SG06F613AK0	Circuit breaker with wire	€ 54,50
	WS11E003AK1	Comfort seat with adjustable back and lumbar support	€ 271,91

## CE-D09 Spare parts list



Identification number: TCF-VOMNL -0380-19A  
 Product group: Mobility Scooter  
 Productname: Senzo 4-wheel  
 Batchnumber:

### Back



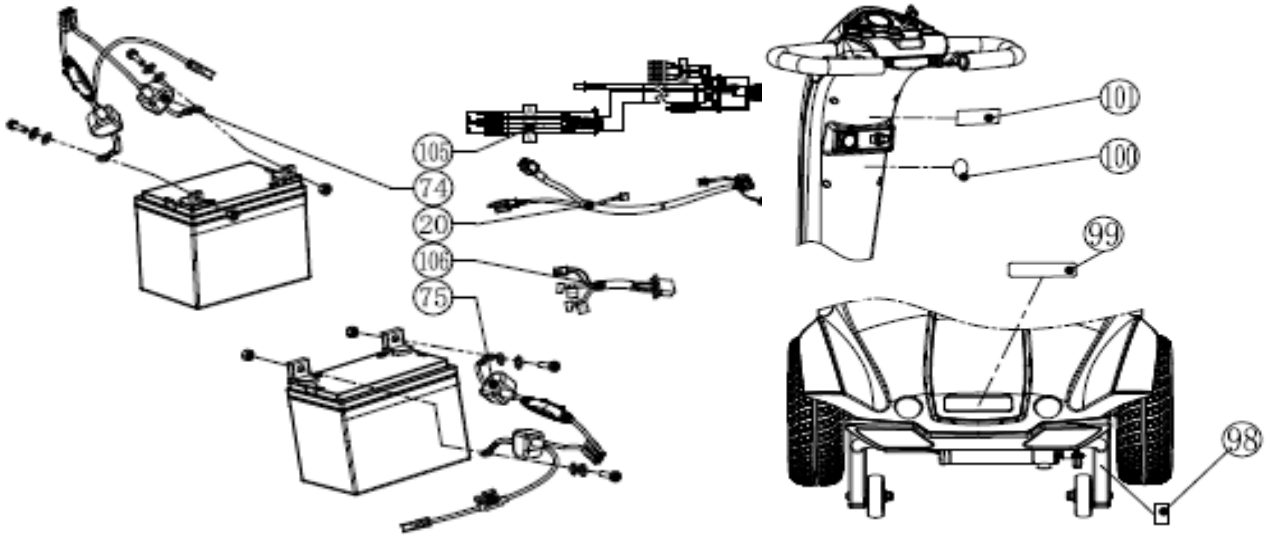
Drawing No.	Item No.	Description	Purchase Price
76	SJ07P144B1G	Front and rear spring (Outside)	€ 13,08
77	SG06P145A1G	Rear spring (Inside)	€ 6,54
79	WE03P510B4B	Brake handle cover (Yellow)	€ 2,18
81	SK05E203AK0	Rear wheel Air,10"	€ 148,24
85	SE06P561A3A	Anti-tip wheel(2")	€ 22,60
88	RA05E103AK1	Transaxle assembly with motor and brake	€ 830,58
88-1	RA05A102BK0	Transaxle only (19.75:1)	€ 431,64
88-2	RA05A314A00	Motor only (CR-5290D24-A:600W)	€ 248,98
88-3	RA05A304CK0	Brake only (6NM)	€ 112,32

## CE-D09 Spare parts list



Identification number: TCF-VOMNL -0380-19A  
 Product group: Mobility Scooter  
 Productname: Senzo 4-wheel  
 Batchnumber:

### Accessoires



Drawing No.	Item No.	Description	Purchase Price
20	SK05F617AK0	Main harness assembly	€ 67,58
74	SE06F617AK0	Battery cable I	€ 43,60
75	SE06F618AK0	Battery cable II	€ 43,60
105	SG06F617AK0	Harness assembly for turning lights	€ 28,34
106	SL01F613AK0	Motor adapter wire assembly	€ 13,08
	93810600	Battery 34Ah/12V, closed, maintenance free, AGM	€ 180,61
	93810355	Battery charger 24V/5Ah	€ 58,42
	90100030	Crutch holder de-luxe	€ 74,26