

CE-D09 Spare parts list



Identification number: TCF-VOMNL- 0136-09G

Product group: Manual wheelchair

Productname: Excel G-logic

Batchnumber:

Complete

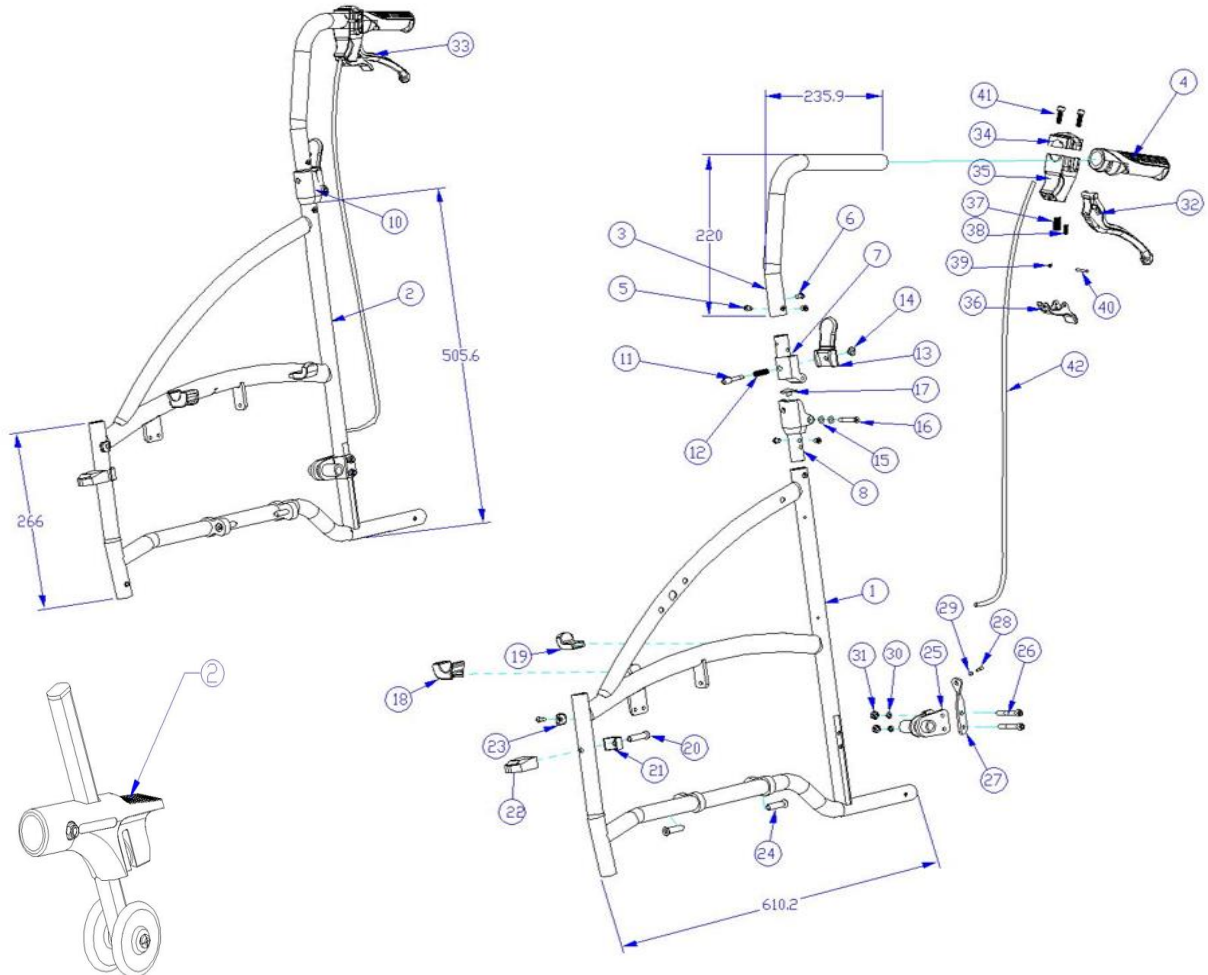


CE-D09 Spare parts list



Identification number: TCF-VOMNL- 0136-09G
 Product group: Manual wheelchair
 Productname: Excel G-logic
 Batchnumber:

Sideframe



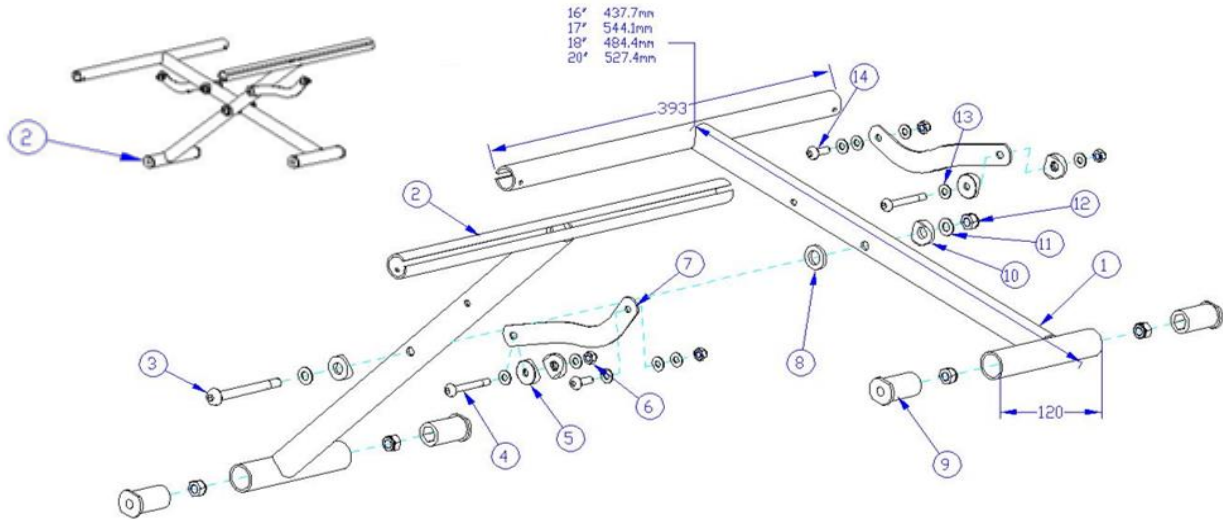
Drawing No.	Item No.	Description	Purchase Price
1	13370043	Side frame Left; Silver	€ 222,88
	13370045	Side frame Left; White	€ 222,88
	13370046	Side frame Left; Black	€ 222,88
2	13370143	Side frame Right; Silver	€ 222,88
	13370145	Side frame Right; White	€ 222,88
	13370146	Side frame Right; Black	€ 222,88
10	11371016	Fixationmechanism with lever for fordable backtube	€ 11,53
20 to 23	12362000	Footrest fixation block (plastic)	€ 14,35
25	13372011	Axel bracket, (sleeve/ring/nut)	€ 14,64
26; 28 to 32	-	Not available as spare part	-
27	13371300	Aluminium plate for brake	-
34 to 42	-	Not available as spare part	-
33	71370110	Brake handle + brake cable Left	€ 27,30
	71370120	Brake handle + brake cable Right	€ 27,30
-2	92000015	Anti-tippers (set of 2)	€ 125,58
-	11373700	Stepper	€ 14,09

CE-D09 Spare parts list



Identification number: TCF-VOMNL- 0136-09G
 Product group: Manual wheelchair
 Productname: Excel G-logic
 Batchnumber:

Crossframe



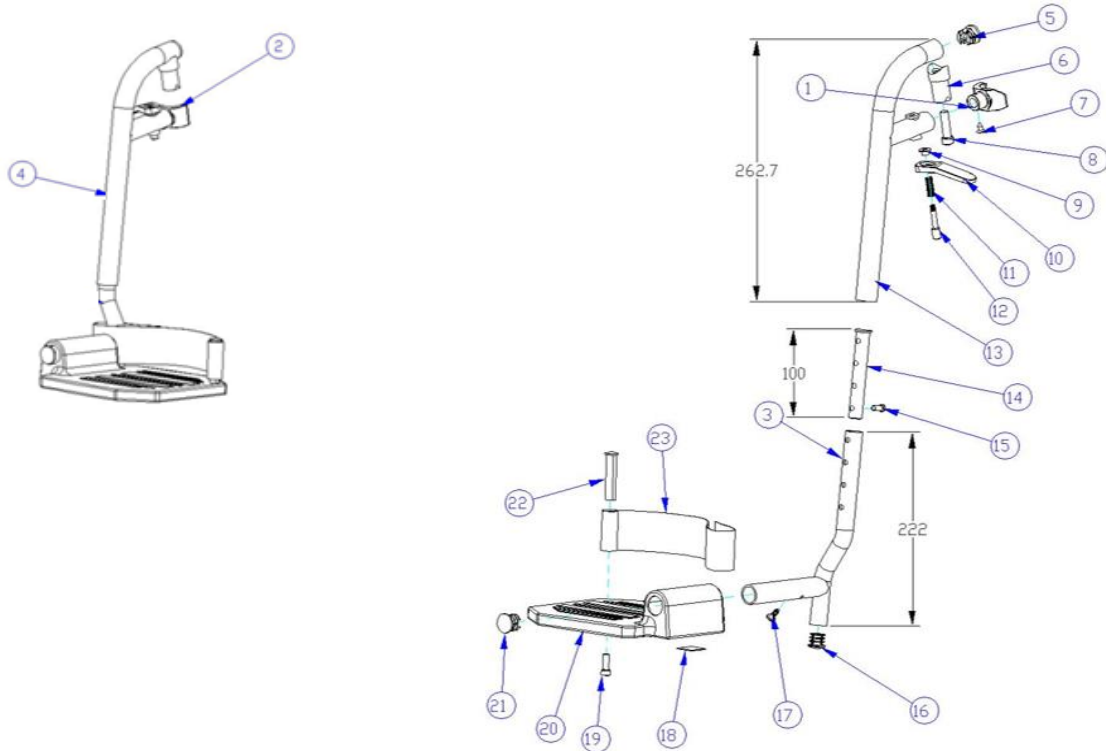
Drawing No.	Item No.	Description	Purchase Price
2	23377040	Cross bar complete incl. folding mechanism, seat width 40cm	€ 114,00
	23377045	Cross bar complete incl. folding mechanism, seat width 45cm	€ 114,00
	23377050	Cross bar complete incl. folding mechanism, seat width 50 cm	€ 114,00
4 to 7	23371600	Folding mechanism black for cross bar, seat width 40 cm	€ 14,09
	23371601	Folding mechanism black for cross bar, seat width 45 cm	€ 14,09
	23371602	Folding mechanism black for cross bar, seat width 50 cm	€ 14,09
9	21370000	Spacer tube, nut, screw for crossframe (set of 4)	€ 37,67
10 to 14	-	Not available as spare part	-

CE-D09 Spare parts list



Identification number: TCF-VOMNL- 0136-09G
 Product group: Manual wheelchair
 Productname: Excel G-logic
 Batchnumber:

Legrest



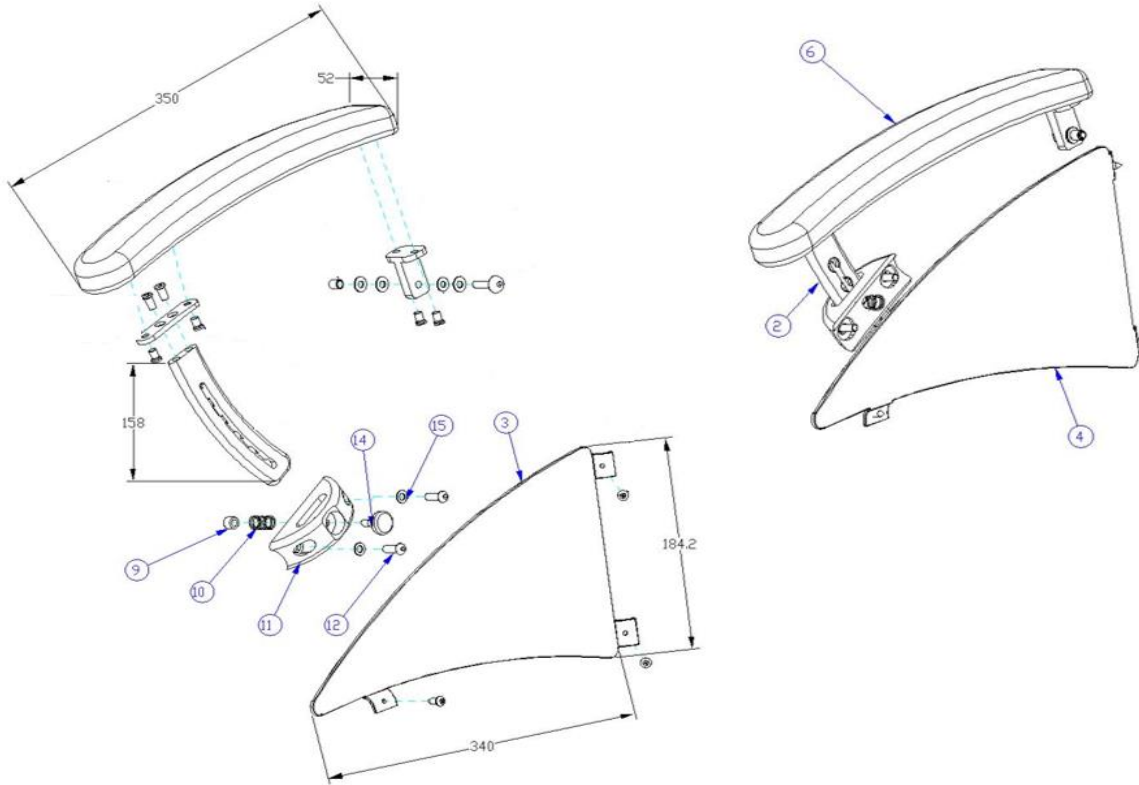
Drawing No.	Item No.	Description	Purchase Price
1 to 2; 5 to 12	63372200	Revision set for footrest Left	€ 43,95
	63372205	Revision set for footrest Right	€ 43,95
3 ; 16 to 23	63373240	Footplate with connection pipe Left	€ 75,57
	63373250	Footplate with connection pipe Right	€ 75,57
4	63374200	Footrest complete, seat width 40/50 cm Left (Silver)	€ 96,07
	63374210	Footrest complete, seat width 40/50 cm Right (Silver)	€ 96,07
	63373020	Elevating legrest complete, 2nd generation, seat width 40/50 cm Left	€ 184,26
	63373030	Elevating legrest complete, 2nd generation, seat width 40/50 cm Right	€ 184,26
	63370200	Footrest complete, seat width 40/50 cm Left (White)	€ 96,07
	63370210	Footrest complete, seat width 40/50 cm Right (White)	€ 96,07
	63376200	Footrest complete, seat width 40/50 cm Left (Black)	€ 96,07
	63376210	Footrest complete, seat width 40/50 cm Right (Black)	€ 96,07
13	-	Not available as spare part	-
14 & 15	63375000	Spacer tube for adjusting lower footrest tube (set of 2)	€ 27,30
	20032401	Countersunk Screw for legrest (set of 10)	€ 9,83
22 & 23	61374640	Heel loop, nylon complete with mounting material	€ 17,93

CE-D09 Spare parts list



Identification number: TCF-VOMNL- 0136-09G
 Product group: Manual wheelchair
 Productname: Excel G-logic
 Batchnumber:

Armrest



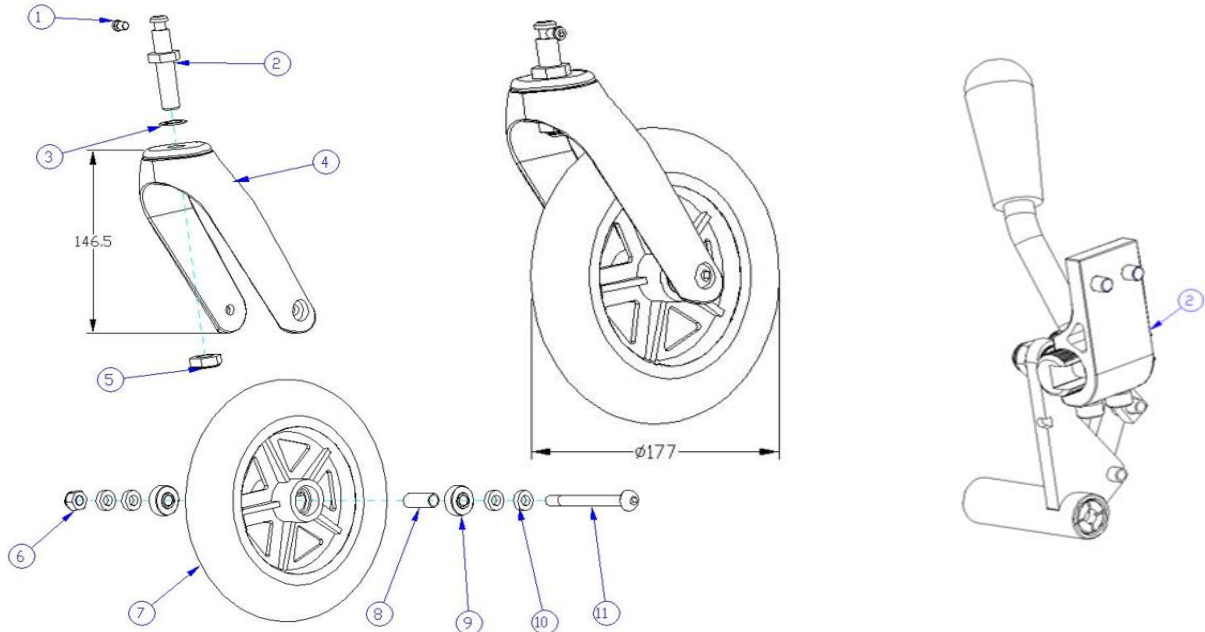
Drawing No.	Item No.	Description	Purchase Price	
2 & 6	31370000	Armpad with height adjustable kit Left	€	114,00
	31370010	Armpad with height adjustable kit Right	€	114,00
3	33370105	Sideplate armrest Left	€	19,22
4	33370115	Sideplate armrest Right	€	19,22
9; 10 & 14	31371005	Pushbutton + spring for armrest	€	5,46
9 to 15	31371015	Height adjustable kit for armpad Left/Right	€	24,90

CE-D09 Spare parts list



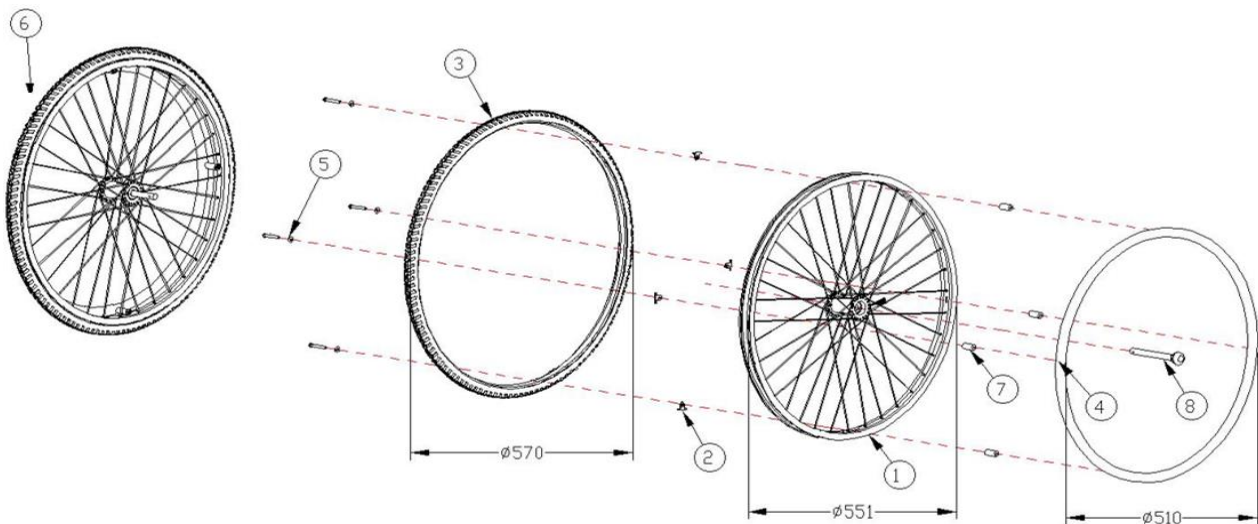
Identification number: TCF-VOMNL- 0136-09G
 Product group: Manual wheelchair
 Productname: Excel G-logic
 Batchnumber:

Front fork + front wheel



Drawing No.	Item No.	Description	Purchase Price
1 to 5	91370155	Front fork Left/Right for 7" front wheel	€ 31,96
6 to 11	80080005	Front wheel, 7" x 1¼", complete with bearings, PU (BLACK)	€ 38,43
2	71370000	Brake complete, Left	€ 29,46
	71370010	Brake complete, Right	€ 28,88

Rear Wheel



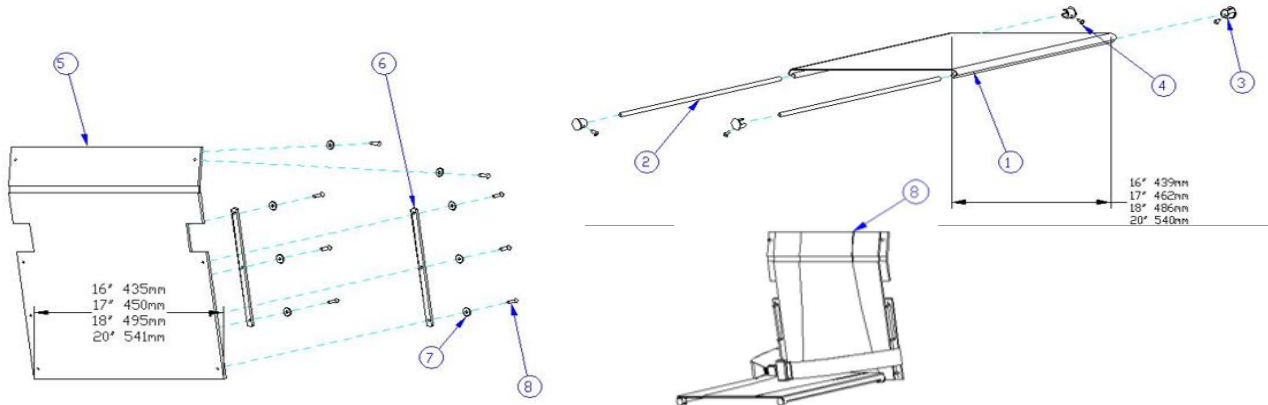
Drawing No.	Item No.	Description	Purchase Price
1	40010000	Outer tire 24"x 1 3/8" Air	€ 19,21
2;5 & 7	40136092	Handrim distance bushes incl. bolt (4 pieces)	€ 6,39
6	43370005	24" x 1 3/8" rear wheel Left/Right PU, Black	€ 166,52
	43370104	24" x 1 1/4" rear wheel Air Left/Right	€ 166,52
7	-	Not available as spare part	-
8	40081000	Quick-release axle with design cap, 13.0 cm	€ 16,65

CE-D09 Spare parts list



Identification number: TCF-VOMNL- 0136-09G
 Product group: Manual wheelchair
 Productname: Excel G-logic
 Batchnumber:

Back & Seat



Drawing No.	Item No.	Description	Purchase Price
1	53371040	Seat canvas 40 cm	€ 53,82
	53371045	Seat canvas 45 cm	€ 53,82
	53371050	Seat canvas 50 cm	€ 53,82
2 to 4	-	Not available as spare part	-
5	53372040	Back canvas 40 cm	€ 53,82
	53372045	Back canvas 45 cm	€ 53,82
	53372050	Back canvas 50 cm	€ 53,82
6 to 7	-	Not available as spare part	-
8	53373040	Seat and back upholstery 40 x 42 cm Blue	€ 75,35
	53373045	Seat and back upholstery 45 x 42 cm Blue	€ 75,35
	53373050	Seat and back upholstery 50 x 42 cm Blue	€ 75,35
	53373340	Seat and back upholstery 40 x 42 cm Brown	€ 75,35
	53373345	Seat and back upholstery 45 x 42 cm Brown	€ 75,35
	53373350	Seat and back upholstery 50 x 42 cm Brown	€ 75,35
	53373140	Seat and back upholstery 40 x 42 cm Red	€ 75,35
	53373145	Seat and back upholstery 45 x 42 cm Red	€ 75,35
	53373150	Seat and back upholstery 50 x 42 cm Red	€ 75,35
	53373240	Seat and back upholstery 40 x 42 cm Orange	€ 75,35
	53373245	Seat and back upholstery 45 x 42 cm Orange	€ 75,35
	53373250	Seat and back upholstery 50 x 42 cm Orange	€ 75,35
90131010	Crutchholder with mounting material and 4 stauff blocks	€ 24,57	