

CE-D09 Spare parts list



Identification number: TCF-VOMNL- 0136-09G

Product group: Manual wheelchair

Productname: Excel G-logic

Batchnumber:

Complete

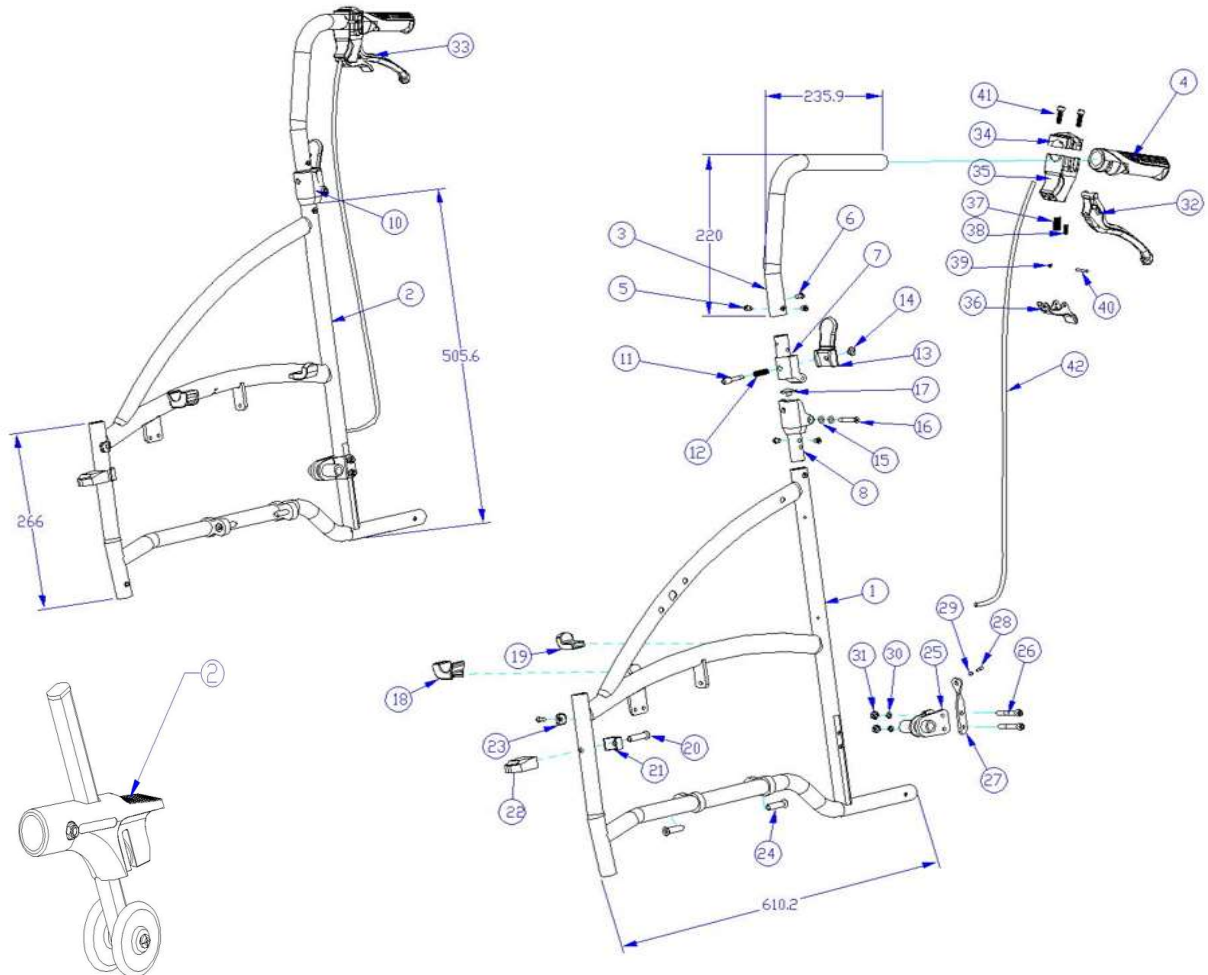


CE-D09 Spare parts list



Identification number: TCF-VOMNL- 0136-09G
 Product group: Manual wheelchair
 Productname: Excel G-logic
 Batchnumber:

Sideframe



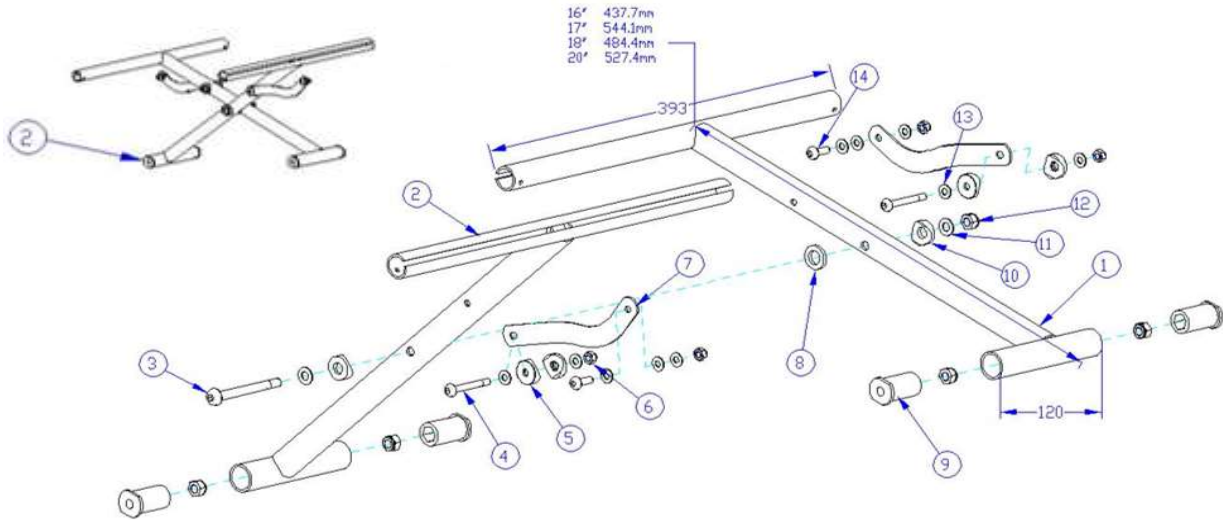
Drawing No.	Item No.	Description	Purchase Price
1	13370043	Side frame Left; Silver	€ 204,10
	13370045	Side frame Left; White	€ 204,10
	13370046	Side frame Left; Black	€ 204,10
2	13370143	Side frame Right; Silver	€ 204,10
	13370145	Side frame Right; White	€ 204,10
	13370146	Side frame Right; Black	€ 204,10
10	11371016	Fixationmechanism with lever for fordable backtube	€ 10,56
20 to 23	12362000	Footrest fixation block (plastic)	€ 13,80
25	13372011	Axel bracket, (sleeve/ring/nut)	€ 14,08
26; 28 to 32	-	Not available as spare part	-
27	13371300	Aluminium plate for brake	-
34 to 42	-	Not available as spare part	-
33	71370110	Brake handle + brake cable Left	€ 25,00
	71370120	Brake handle + brake cable Right	€ 25,00
-2	92000015	Anti-tippers (set of 2)	€ 115,00
-	11373700	Stepper	€ 12,90

CE-D09 Spare parts list



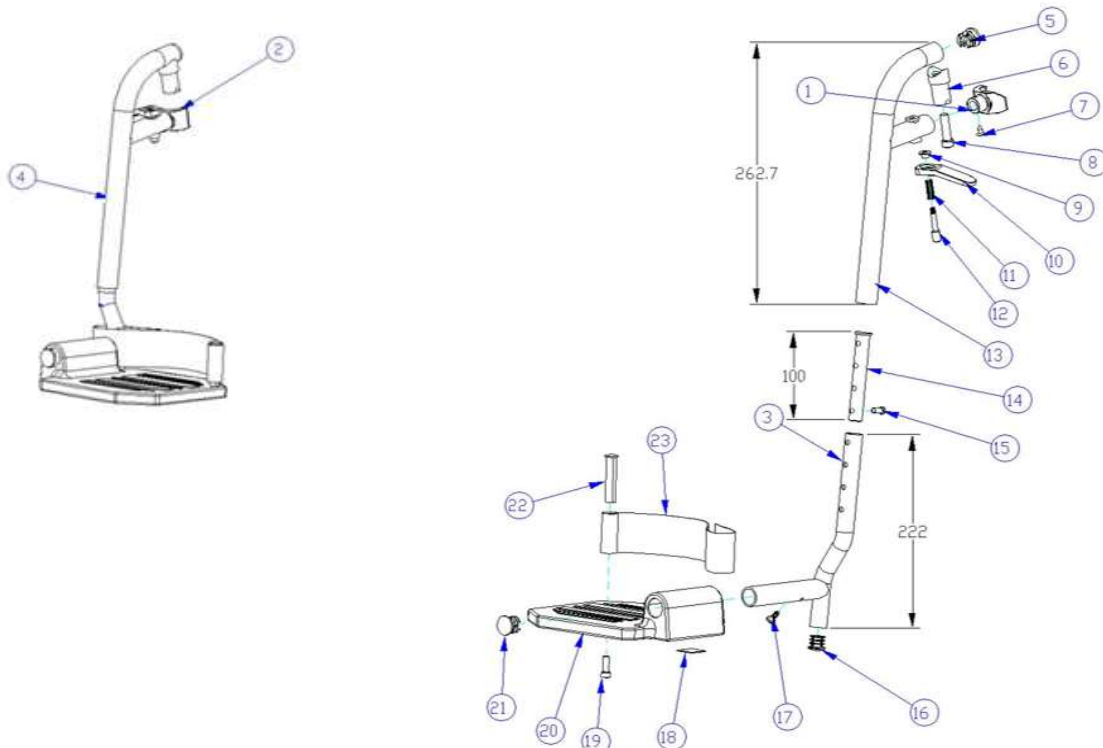
Identification number: TCF-VOMNL- 0136-09G
 Product group: Manual wheelchair
 Productname: Excel G-logic
 Batchnumber:

Crossframe



Drawing No.	Item No.	Description	Purchase Price
2	23377040	Cross bar complete incl. folding mechanism, seat width 40cm	€ 104,40
	23377045	Cross bar complete incl. folding mechanism, seat width 45cm	€ 104,40
	23377050	Cross bar complete incl. folding mechanism, seat width 50 cm	€ 104,40
4 to 7	23371600	Folding mechanism black for cross bar, seat width 40 cm	€ 12,90
	23371601	Folding mechanism black for cross bar, seat width 45 cm	€ 12,90
	23371602	Folding mechanism black for cross bar, seat width 50 cm	€ 12,90
9	21370000	Spacer tube, nut, screw for crossframe (set of 4)	€ 34,50
10 to 14	-	Not available as spare part	-

Legrest



Drawing No.	Item No.	Description	Purchase Price
-------------	----------	-------------	----------------

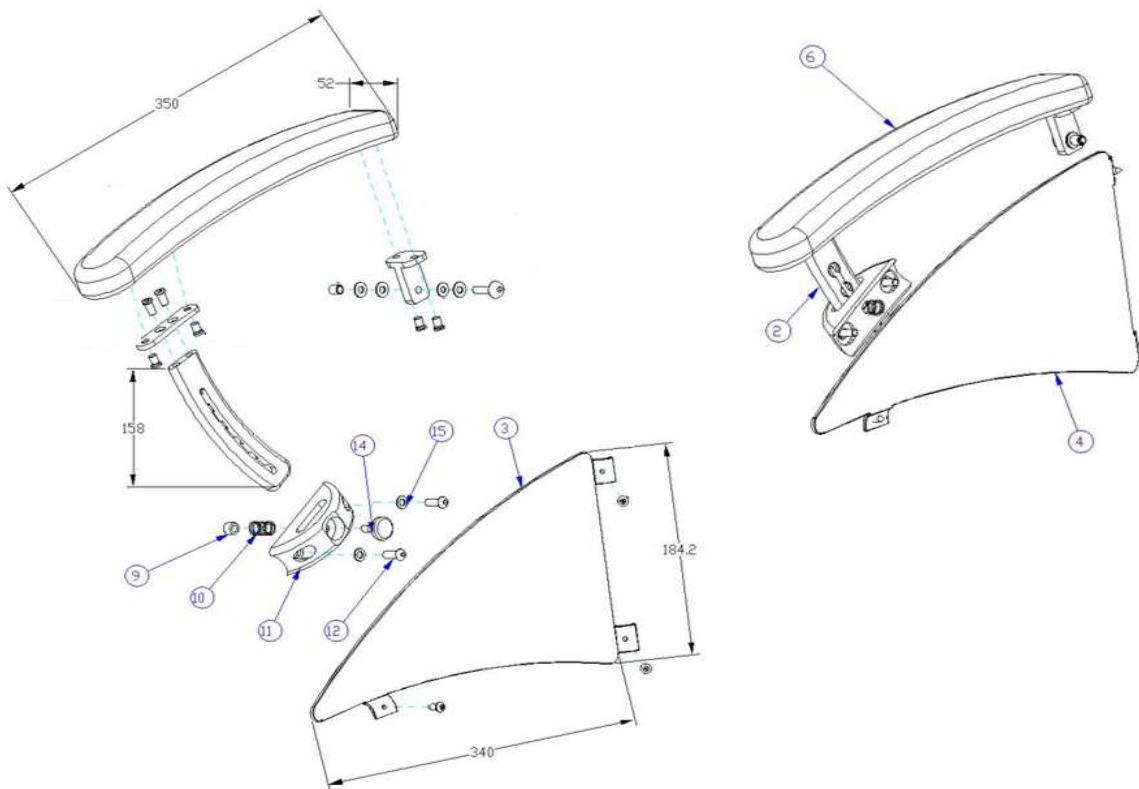
CE-D09 Spare parts list



Identification number: TCF-VOMNL- 0136-09G
 Product group: Manual wheelchair
 Productname: Excel G-logic
 Batchnumber:

1 to 2; 5 to 12	63372200	Revision set for footrest Left	€	40,25
	63372205	Revision set for footrest Right	€	40,25
3 ; 16 to 23	63373240	Footplate with connection pipe Left	€	69,21
	63373250	Footplate with connection pipe Right	€	69,21
4	63374200	Footrest complete, seat width 40/50 cm Left (Silver)	€	87,98
	63374210	Footrest complete, seat width 40/50 cm Right (Silver)	€	87,98
	63373020	Elevating legrest complete, 2nd generation, seat width 40/50 cm Left	€	140,57
	63373030	Elevating legrest complete, 2nd generation, seat width 40/50 cm Right	€	140,57
	63370200	Footrest complete, seat width 40/50 cm Left (White)	€	87,98
	63370210	Footrest complete, seat width 40/50 cm Right (White)	€	87,98
	63376200	Footrest complete, seat width 40/50 cm Left (Black)	€	87,98
	63376210	Footrest complete, seat width 40/50 cm Right (Black)	€	87,98
13	-	Not available as spare part	-	-
14 & 15	63375000	Spacer tube for adjusting lower footrest tube (set of 2)	€	25,00
15	20032401	Countersunk Screw for legrest (set of 10)	€	9,00
22 & 23	61374640	Heel loop, nylon complete with mounting material	€	16,42

Armrest



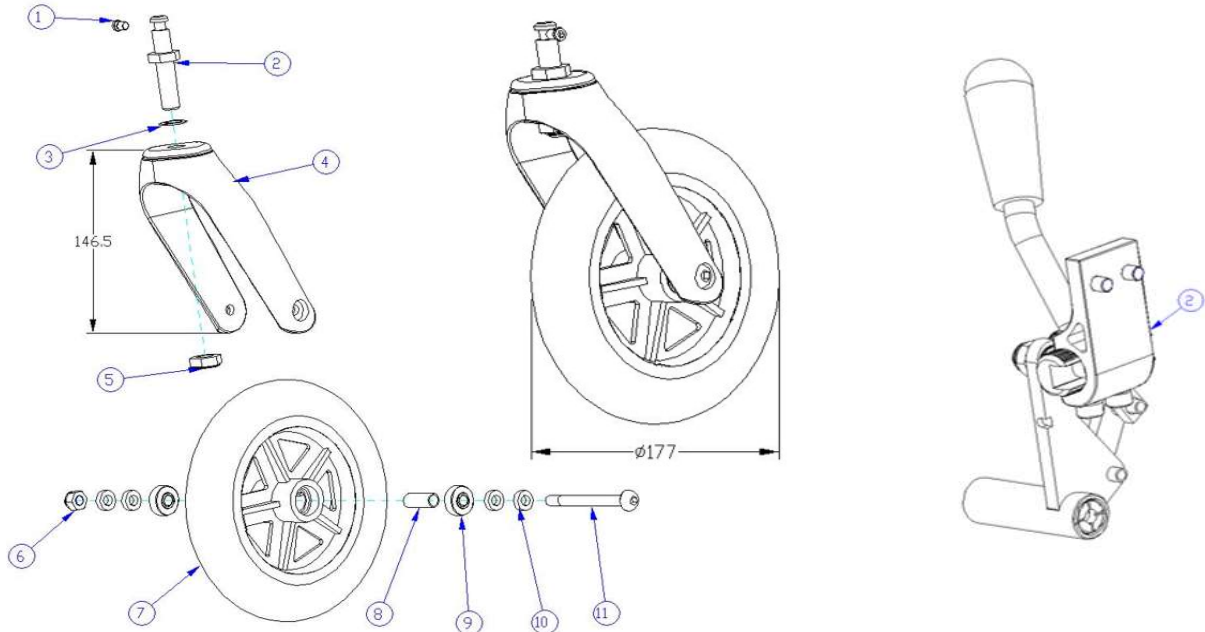
Drawing No.	Item No.	Description	Purchase Price
2 & 6	31370000	Armpad with height adjustable kit Left	€ 104,40
	31370010	Armpad with height adjustable kit Right	€ 104,40
3	33370105	Sideplate armrest Left	€ 17,60
4	33370115	Sideplate armrest Right	€ 17,60
9; 10 & 14	31371005	Pushbutton + spring for armrest	€ 5,00
9 to 15	31371015	Height adjustable kit for armpad Left/Right	€ 22,80

CE-D09 Spare parts list



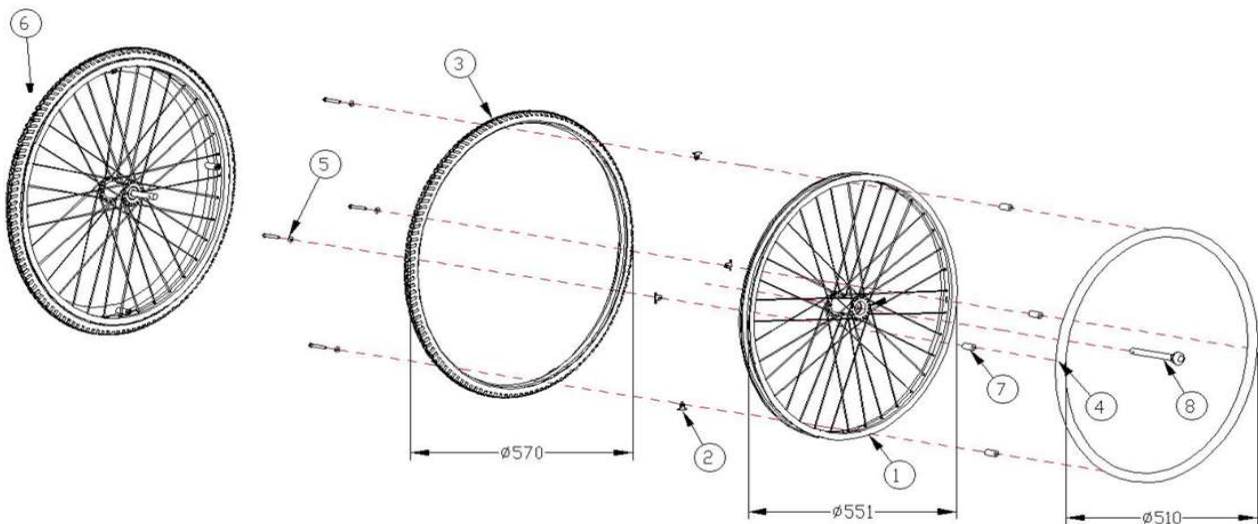
Identification number: TCF-VOMNL- 0136-09G
 Product group: Manual wheelchair
 Productname: Excel G-logic
 Batchnumber:

Front fork + front wheel



Drawing No.	Item No.	Description	Purchase Price
1 to 5	91370155	Front fork Left/Right for 7" front wheel	€ 29,27
6 to 11	80080005	Front wheel, 7" x 1¼", complete with bearings, PU (BLACK)	€ 35,19
2	71370000	Brake complete, Left	€ 26,98
	71370010	Brake complete, Right	€ 26,98

Rear Wheel



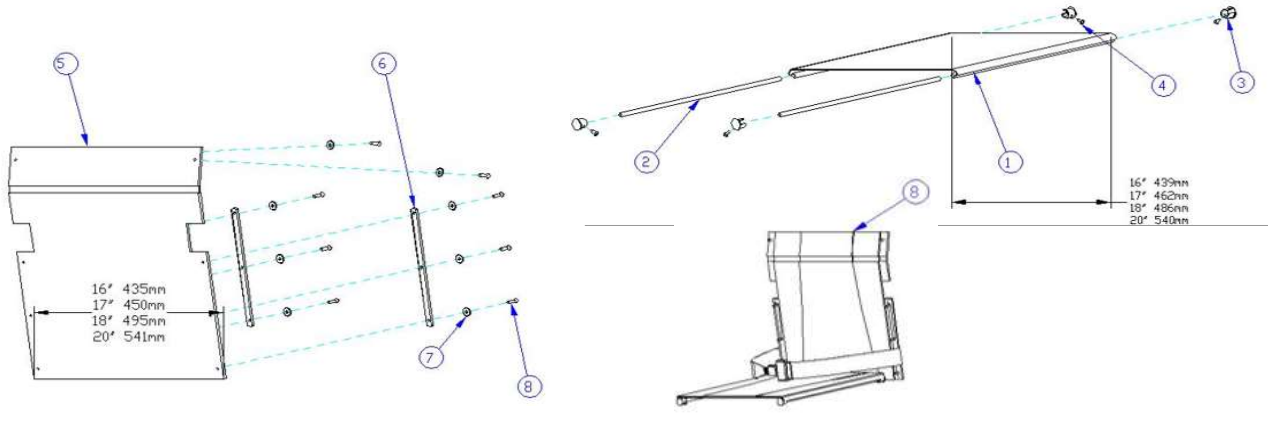
Drawing No.	Item No.	Description	Purchase Price
1	40010000	Outer tire 24"x 1 3/8" Air	€ 17,95
2;5 & 7	40136092	Handrim distance bushes incl. bolt (4 pieces)	€ 5,87
6	43370005	24" x 1 3/8" rear wheel Left/Right PU, Black	€ 152,49
	43370104	24" x 1 1/4" rear wheel Air Left/Right	€ 152,49
7	-	Not available as spare part	-
8	40081000	Quick-release axle with design cap, 13.0 cm	€ 15,25

CE-D09 Spare parts list



Identification number: TCF-VOMNL- 0136-09G
 Product group: Manual wheelchair
 Productname: Excel G-logic
 Batchnumber:

Back & Seat



Drawing No.	Item No.	Description	Purchase Price
1	53371040	Seat canvas 40 cm	€ 51,75
	53371045	Seat canvas 45 cm	€ 51,75
	53371050	Seat canvas 50 cm	€ 51,75
2 to 4	-	Not available as spare part	-
5	53372040	Back canvas 40 cm	€ 51,75
	53372045	Back canvas 45 cm	€ 51,75
	53372050	Back canvas 50 cm	€ 51,75
6 to 7	-	Not available as spare part	-
8	53373040	Seat and back upholstery 40 x 42 cm Blue	€ 69,00
	53373045	Seat and back upholstery 45 x 42 cm Blue	€ 69,00
	53373050	Seat and back upholstery 50 x 42 cm Blue	€ 69,00
	53373340	Seat and back upholstery 40 x 42 cm Brown	€ 69,00
	53373345	Seat and back upholstery 45 x 42 cm Brown	€ 69,00
	53373350	Seat and back upholstery 50 x 42 cm Brown	€ 69,00
	53373140	Seat and back upholstery 40 x 42 cm Red	€ 69,00
	53373145	Seat and back upholstery 45 x 42 cm Red	€ 69,00
	53373150	Seat and back upholstery 50 x 42 cm Red	€ 69,00
	53373240	Seat and back upholstery 40 x 42 cm Orange	€ 69,00
	53373245	Seat and back upholstery 45 x 42 cm Orange	€ 69,00
	53373250	Seat and back upholstery 50 x 42 cm Orange	€ 69,00
90131010	Crutchholder with mounting material and 4 stauff blocks	€ 22,50	